

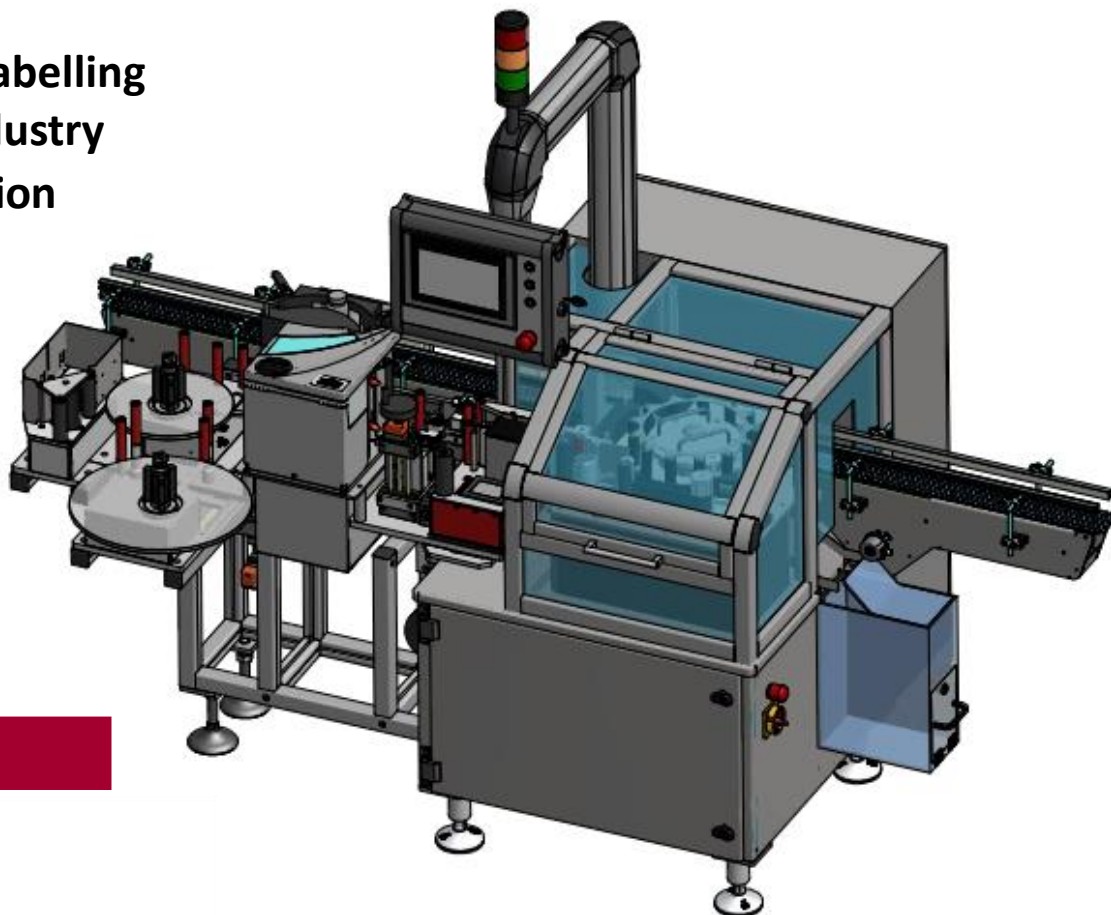
ROTORING PHARMA

Machine Specifications

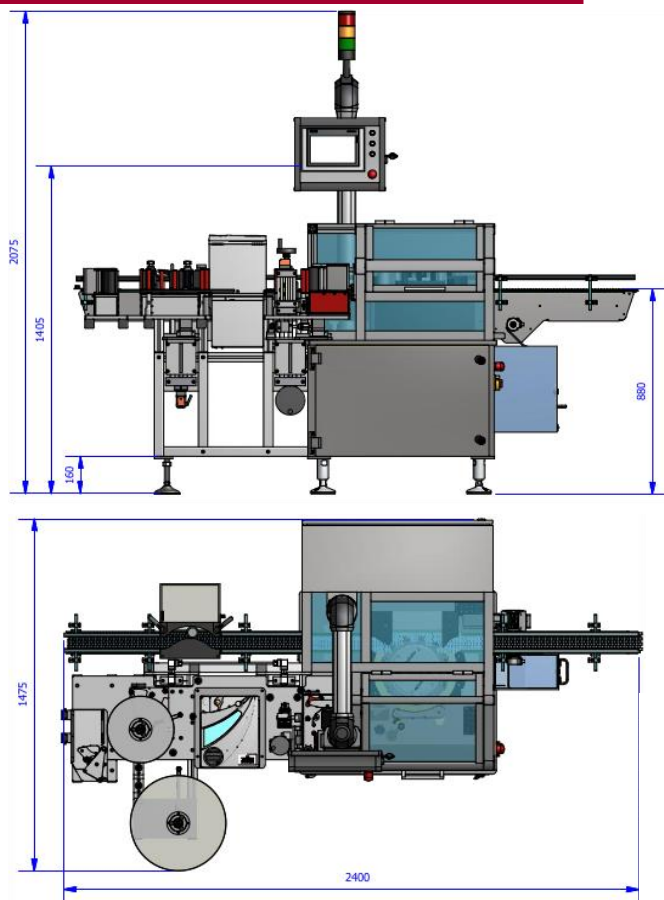


GERMARK
IDENTIFICATION SOLUTIONS

**High speed non-stop labelling
system for pharma industry
100% verified production**



Dimensions



Labelling Options



Products to apply label:

Height: 30 mm – unlimited
Diameter: 18 mm – 100 mm

General Features

Ergonomics	Easy to operate
Production Capacity	Up to 300 products/min
Multiple formats	Yes, easy and fast to change
Security	Key to access the interior of the chassis and the electrical parts
Options	<ul style="list-style-type: none"> • Printer • Transparent labels detector • Label on product control • Rejection of non-labelled products • Bad label rejection • Print control • Feeding/collecting lungs • Labelled product collection tray • Product fallen detector and rejection
Artificial vision system	Optional (printing and/or label verification)
HMI Size	9" touch screen

Technical Data

Voltage/Frequency	230V – 50 Hz
Power	1000 W
Dimensions	1930 x 1460 x 2500 mm
Weight	350 kg

Label Specifications

Label reel dimensions	Maximum height	125/205 mm
	Minimum height	10 mm
	Minimum length	10 mm
Label reel capacity	Maximum external diameter	400 mm
	Internal diameter	76 mm

Included Technical documentation of the equipment

User's Guide
Electrical and pneumatic schematic diagrams
Declaration of Conformity and Market CE